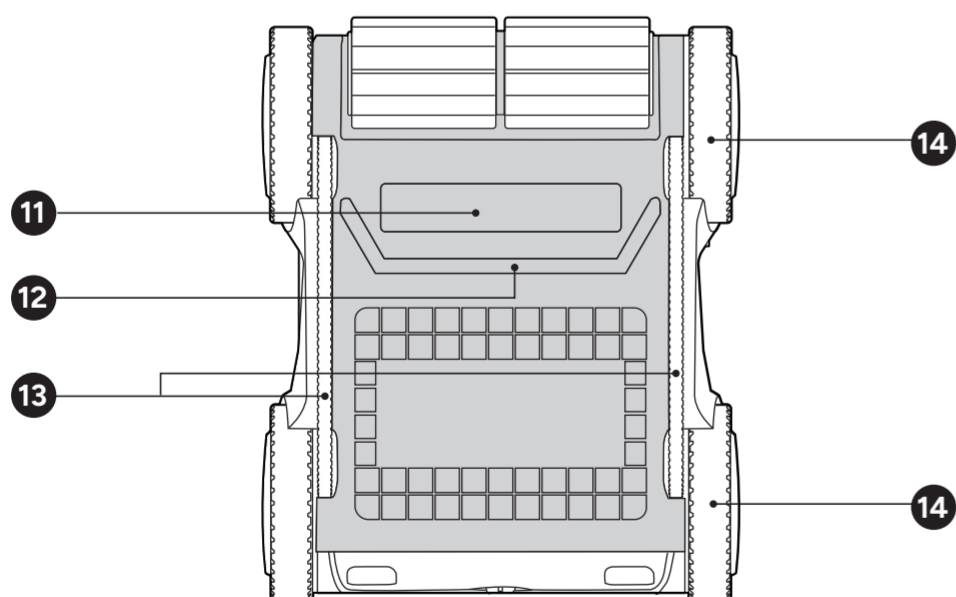
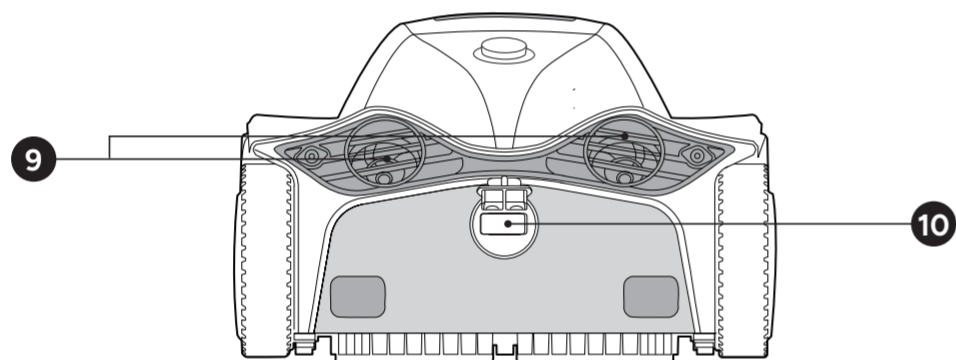
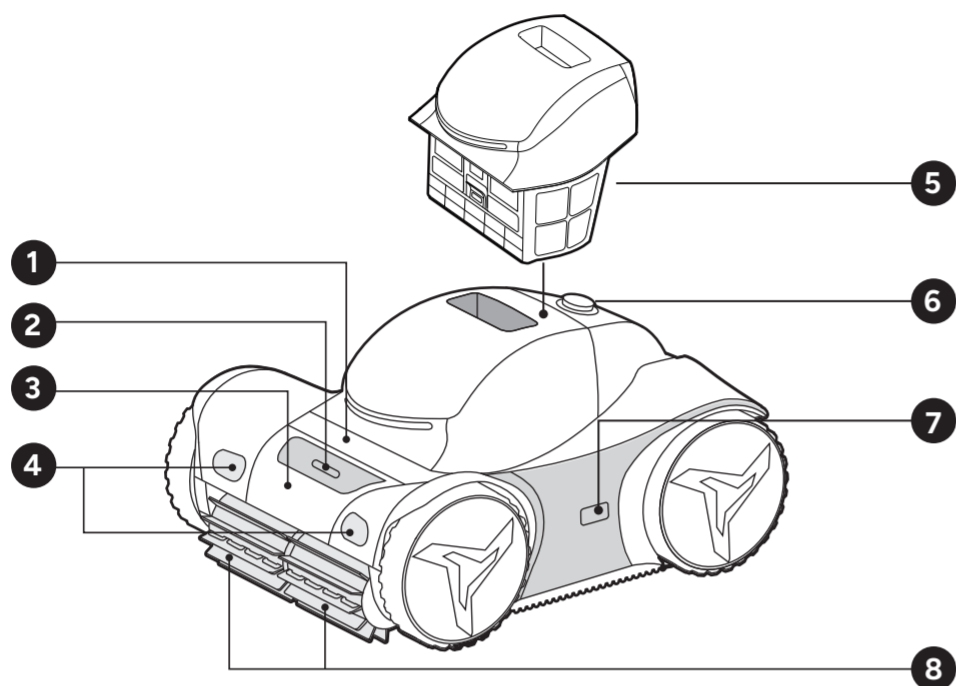
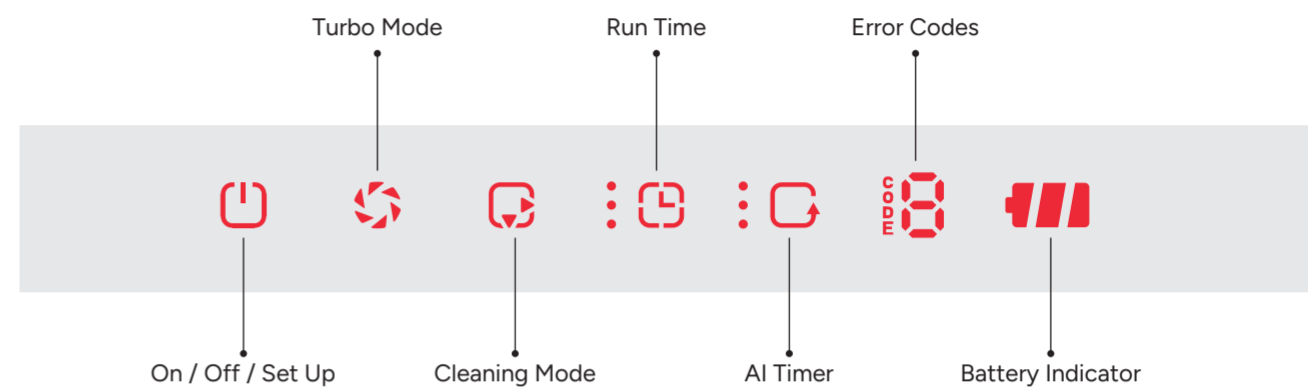


1. Product Overview



- | | | |
|-------------------------|-----------------|---------------------|
| 1 Control Panel | 2 Power Switch | 3 Handle |
| 4 Front Infrared Sensor | 5 Filter Basket | 6 Ultrasonic Sensor |
| 7 Side Infrared Sensor | 8 Brush | 9 Water Outlet |
| 10 Charging Port | 11 Suction Port | 12 Scraper |
| 13 Track | 14 Wheel | |

2. Control Panel



Control Panel	Meaning	Operation
On / Off / Set Up	Turn On / Set Up / Save Settings	Hold 3 seconds to turn on & set up. Tap to save settings & start cleaning.
Turbo Mode	Turbo On / Off	LED On = Turbo, LED Off = Standard Cleaning
Cleaning Mode	Setting Cleaning Areas	Bottom LED On = Floor only; Top LED On = Wall&Waterline Only; *Both LEDs On = Wall & Waterline first, then floor; *Both LEDs Off = Full coverage
Run Time	1 h / 1.5 h / 2 h / Low Battery	1/2/3 LEDs or Off = Select Cycle
AI Timer	24 h / 48 h / 72 h / Off	1/2/3 LEDs or Off = Scheduled Cleaning Interval
*Error Codes	E1-E6 Error Codes	See Troubleshooting
*Battery Indicator	20-100% (Charging)	LEDs On / Flashing

*Important Cleaning Modes Explained

Wall & Waterline first, then floor

Recommended for most cleaning needs; Does not clean tanning ledges or other shallow areas.

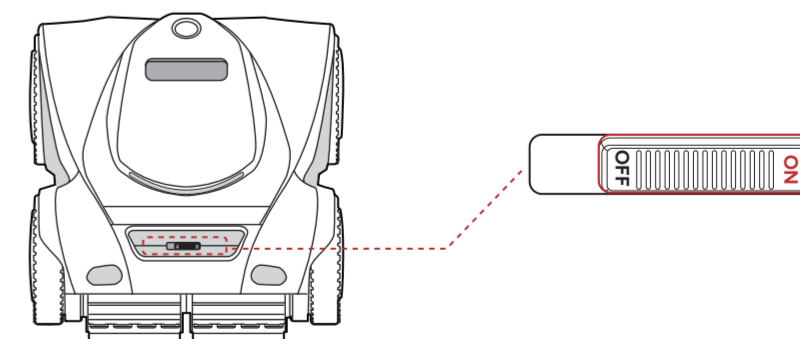
Full coverage

Cleans Floor → Wall → Waterline to cover all areas (Includes tanning ledges); May use more power than Wall & Waterline first, then floor.

3. Turn On & Charge

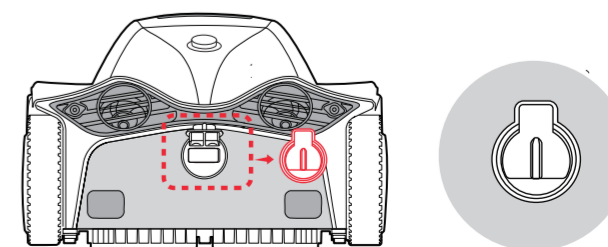
Turn on

See power switch at the front and turn it **ON**.



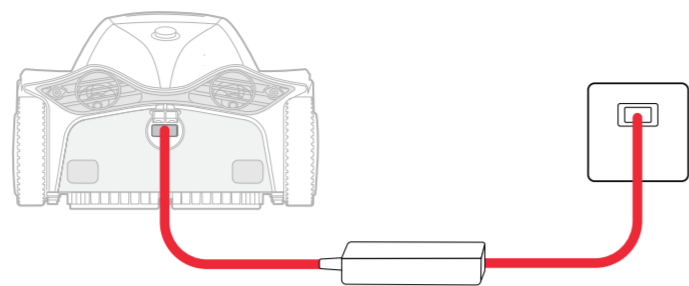
Charge

1. Remove charging port cover.

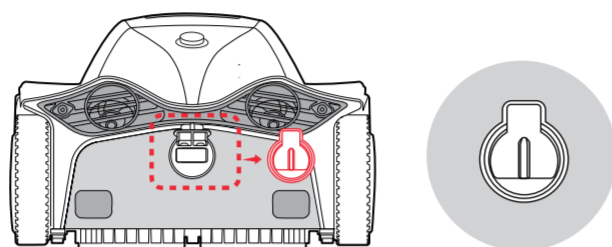


2. Plug in the supplied charger to 100–240 VAC.
(The plug for the Australian market is Type I - 3 pins)

3. Three LEDs solid = fully charged.



4. Disconnect and close the cover.

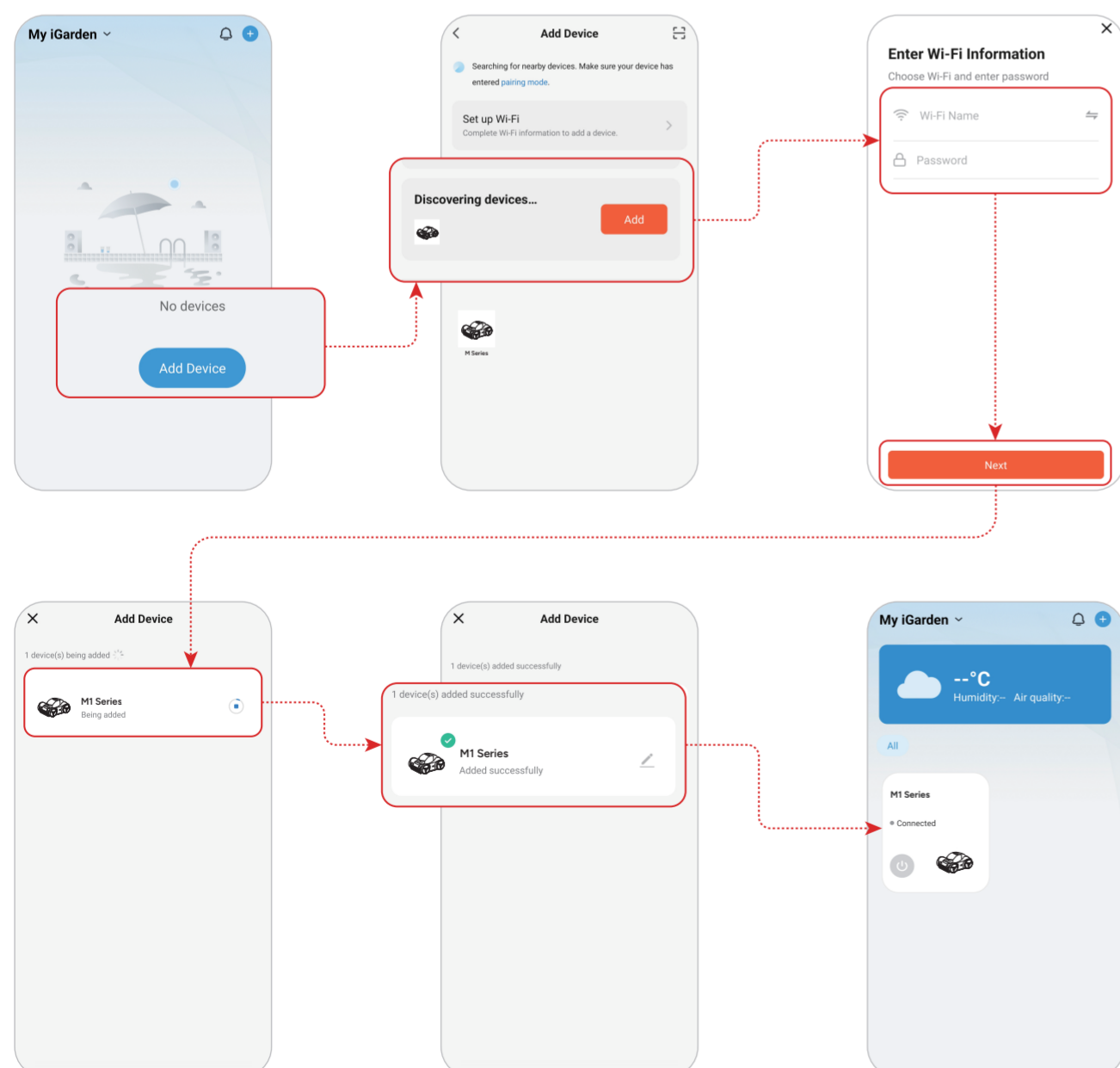


4. Connect To Wi-Fi

1. App control is available via 2.4G Wi-Fi (5G Wi-Fi not supported) or Bluetooth.
2. Hold Cleaning Mode for 3s. After hearing a tone, it is ready to pair.
3. Search and connect device in the "iGarden Robotics" App, when the starts flashing.
4. Once the Control Panel lights up, the WiFi is set.

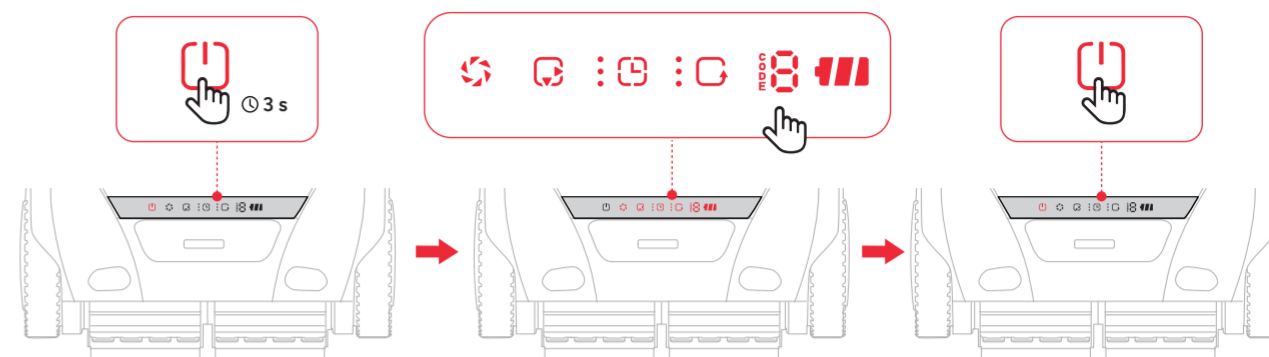


Scanning QR Code below to download:



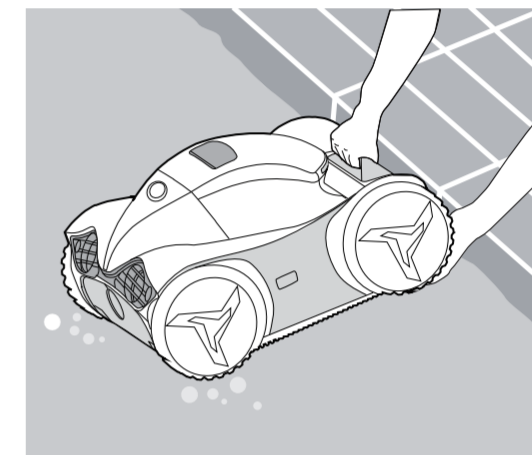
5. Quick Start

1. Go: Hold ON/OFF for 3 s. LEDs flash—set options—tap again to start.



Note: Control panel on—no ON/OFF hold.
Only hold ON/OFF if control panel is off.

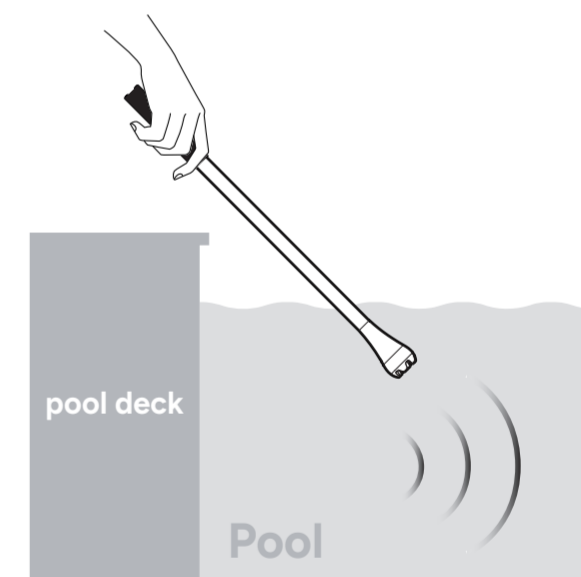
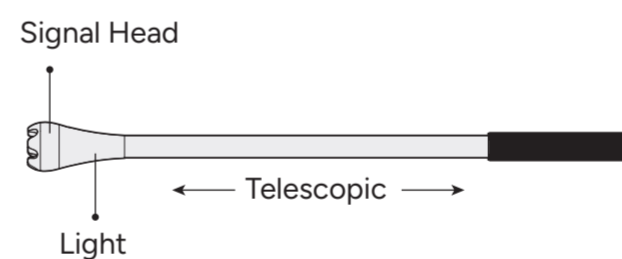
2. Place the robot in water, hold it and rotate the cleaner to let the air escape. See image on the right:



3. Submerge the cleaner within 3 minutes when power-on.

4. Hold the Return Tool, submerge the signal head in water, and meet the cleaner at the waterline, ready for lift-out.

- Shortened = OFF
- Fully extended = ON



Warnings

- Do not swim during operation.
- Charge only with the supplied adapter & battery.

Support

OFFICE

Golden Coast
Fisleigh Road, Roundswell Commercial Park
West, Barnstaple Devon, EX31 3UA
swimmer@goldenc.com

GOLDEN COAST TECHNICAL
+44 1271 378 100
technical@goldenc.com

See the full guide inside the box for detailed instructions.